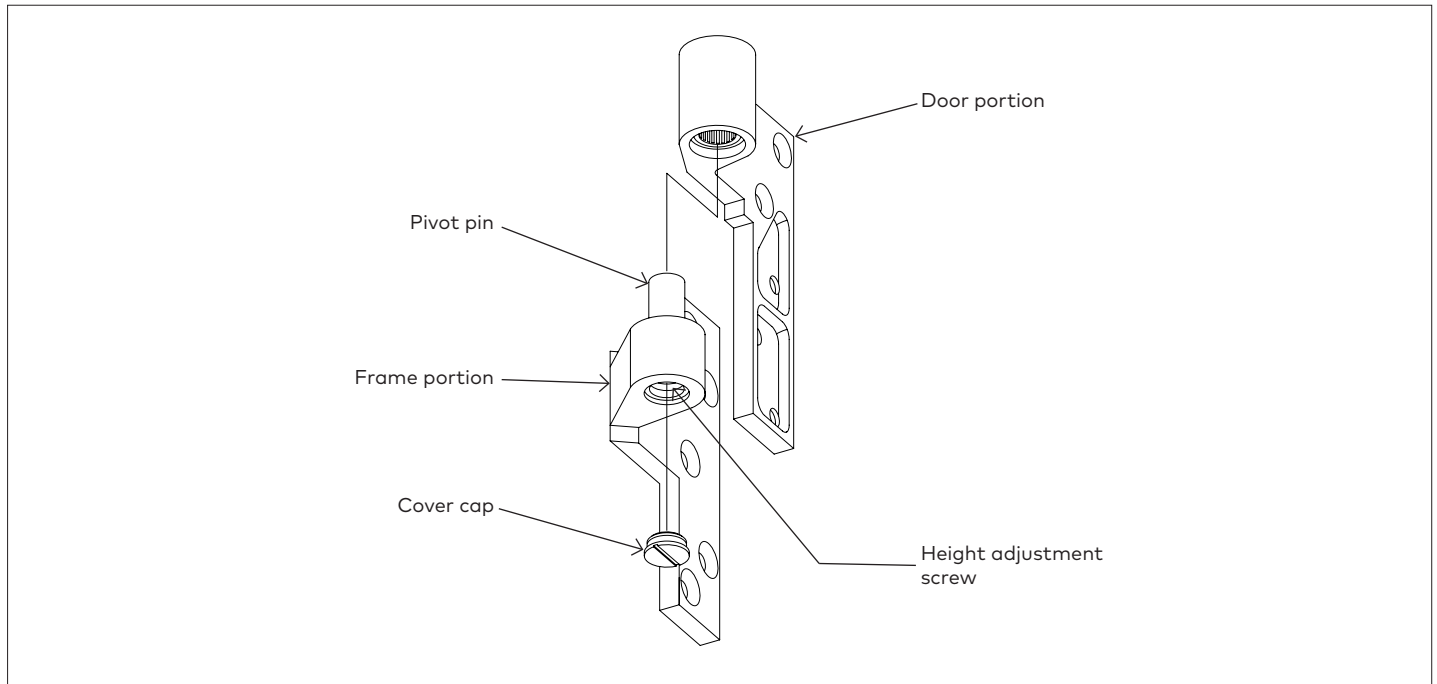


Installation Instructions

15220, 15222, 15233

1-1/2" Offset Intermediate Pivot

1.1 Install pivot



- 1.1.1 Prepare door and frame according to template.
- 1.1.2 Install door.
- 1.1.3 Fasten frame portion of pivot.
- 1.1.4 Fasten door portion of pivot.
- 1.1.5 Adjust verticle height of door, if necessary.
- 1.1.6 Remove cover cap.

- 1.1.7 Adjust door height:
 - Turn clockwise - to raise door
 - Turn counter-clockwise - to lower door
- 1.1.8 Replace cover cap.

NOTE: When intermediate pivots are used in conjunction with the BTS Series Floor Closer, the entire weight of the door must rest firmly on the floor closer spindle.

To insure proper installation, the center line of the intermediate pivot must be in line with the centerline of the top and bottom pivot.

